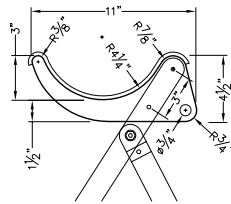


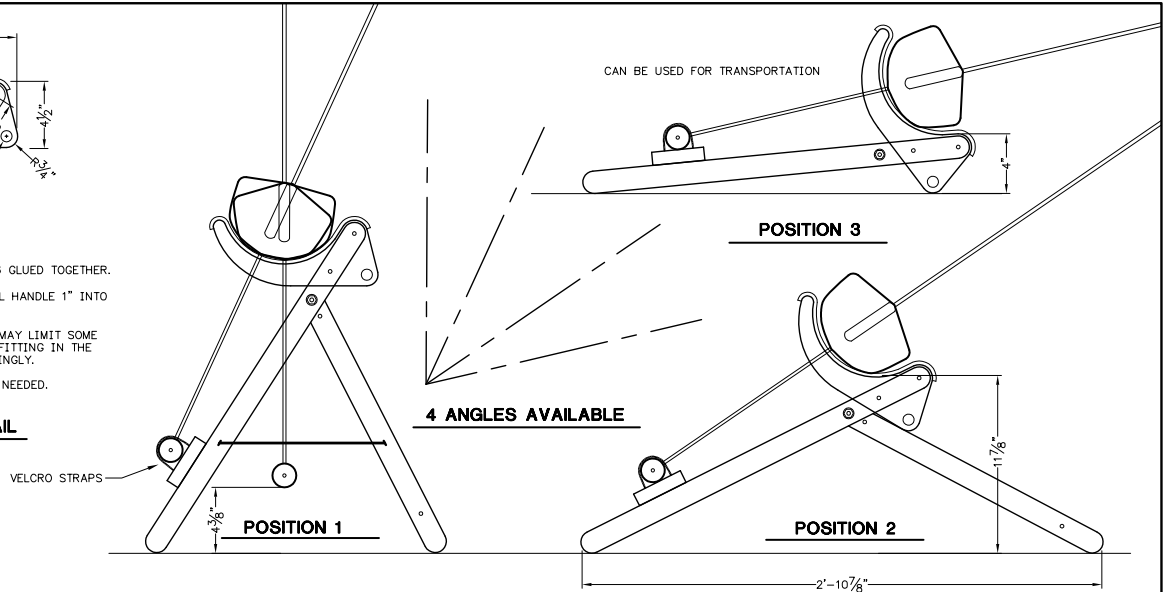
**SIDE VIEW**



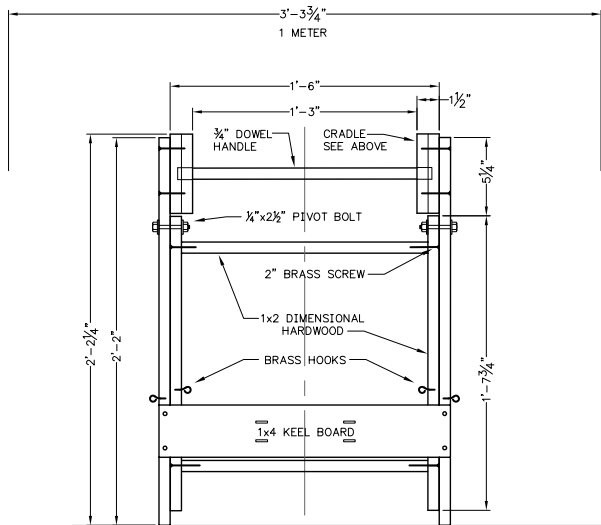
**NOTES:**

1. CRADLE MADE FROM 2-1x6 GLUED TOGETHER.
2. DRILL 3/4\"/>

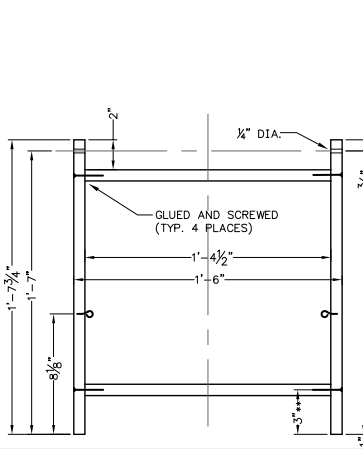
**CRADLE DETAIL**



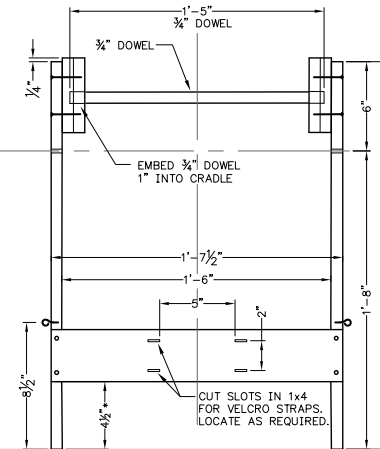
**4 ANGLES AVAILABLE**



**FRONT VIEW**



**LITTLE FRAME**



**BIG FRAME**

**PARTS LIST**

- 2 - 1x2 x 8'
- 1 - 1x6 x 6'
- 1 - 3/4\"/>

\* VERTICAL LOCATION OF 1x4 KEEL BOARD MAY NEED TO BE ADJUSTED TO EACH INDIVIDUAL BOAT IF YOU WANT THE BULB CENTERED ON THE 1x4.  
 \*\* AN ADDITIONAL 2\"/>

**IOM BOAT STAND**

SCALE 1 1/2\"/>